

450 SERIES

36" Built-In Bottom Mount Refrigerator

CLICK TO
PREVIEW
COLORS



FRONT

OPEN

DETAIL



PRODUCT DIMENSIONS

Width	35 ¹² / ₁₆ in.	90.8cm
Height	83 ⁸ / ₁₆ in.	212cm
Depth	24 ⁴ / ₁₆ in.	61.5cm
Height Excluding Hinge	83 ⁸ / ₁₆ in.	212cm
Depth Excluding Door	21 ¹³ / ₁₆ in.	55.4cm
Depth With Doors Open 90°	61 in.	154.9cm
Weight	373 lbs.	169.1kg
Capacity	19.8 cu. ft.	560.6L

ADDITIONAL SPECS

Refrigerator Capacity	14.2 cu. ft.
Freezer Capacity	5.6 cu. ft.
No. of Shelves	3 Glass Shelves
Hinge	Reversible
Built-In	Yes
Rated Voltage	115 Volts/60 Hz
Warranty Terms	2 Years
Energy Star	Yes
Certification	ETL
ADA Compliant	No

FEATURES:



SOFT CLOSE DRAWERS

Convenient soft closing drawers are quiet and gentle, providing a high end design.



WATER DISPENSER

An interior water dispenser provides cool, clean water with the touch of a button.



SABBATH MODE

When enabled, all lights, alarms and display panels will be switched off to conserve energy.

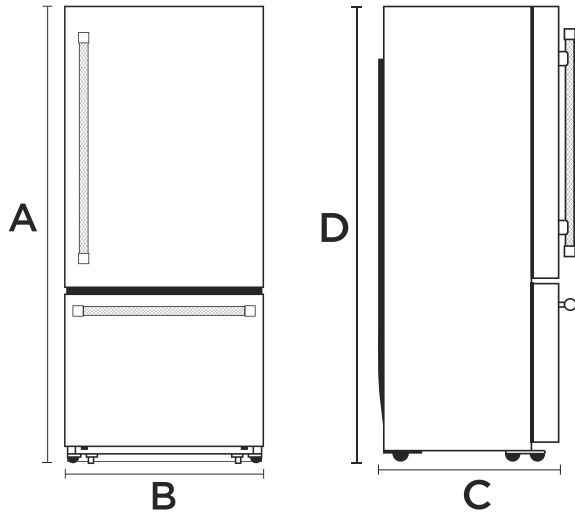


AUTOMATIC ICE MAKER

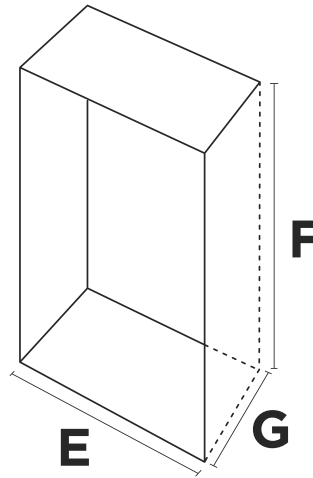
A convenient built-in icemaker provides 4 pounds of ice daily.

INSTALLATION GUIDE

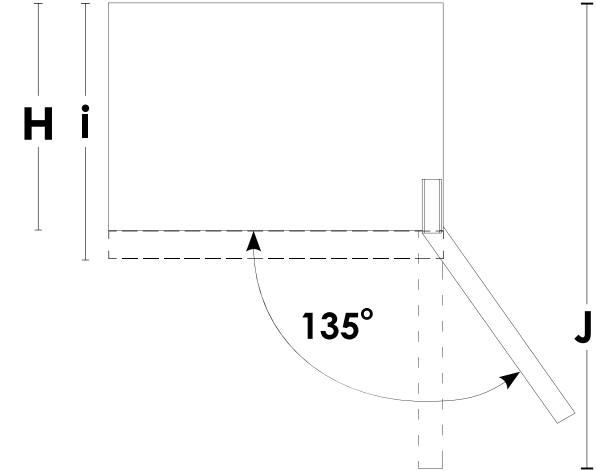
PRODUCT DIMENSIONS



CUT-OUT DIMENSIONS



PLANNED DIMENSIONS



POINT	DESCRIPTION	INCHES	CM
A	Actual Height	83 ⁸ / ₁₆	212
B	Actual Width	35 ¹² / ₁₆	75.5
C	Actual Depth	24 ⁴ / ₁₆	61.5
D	Height Excluding Hinge	83 ⁸ / ₁₆	212
E	Cut-Out Width	36	78.5
F	Cut-Out Height	84	213.4
G	Cut-Out Depth	25	63.5
H	Depth Excluding Doors	21 ¹³ / ₁₆	55.4
i	Depth Excluding Panel	23 ⁵ / ₁₆	59.8
J	Depth with Doors Open 90°	61	154.9

Spec sheets are subject to change without notice. For further questions and more detailed information, please visit www.forteappliances.com