

250 SERIES

30" Top Mount Refrigerator

[CLICK TO VIEW
IN KITCHEN](#)

[CLICK TO
PREVIEW
COLORS](#)



FRONT

OPEN

PRODUCT DIMENSIONS

Width	29 ⁸ / ₁₆ in.	74.93cm
Height	66 ⁵ / ₁₆ in.	168.4cm
Depth	30 ¹⁵ / ₁₆ in.	78.5cm
Height Excluding Hinge	65 ⁶ / ₁₆ in.	166cm
Depth Excluding Doors	27 ¹² / ₁₆ in.	70.4cm
Depth With Doors Open 90°	58 ⁹ / ₁₆ in.	148.7cm
Weight	163 lbs.	73.9 Kg
Capacity	18.3 Cu. Ft.	518.1L

ADDITIONAL SPECS

Refrigeration Capacity	13.6 Cu. Ft.
Freezer Capacity	4.56 Cu. Ft.
No. of Shelves	2 Glass Shelves
Freestanding	Yes
Rated Voltage	115V-60Hz
Reversible Hinge	Yes
Warranty Terms	1 Year
Energy Star	Yes
Certification	UL
ADA Compliant	No

DETAIL



FEATURES:



MULTI-AIR FLOW
Maintain humidity and temperature control, and keep your food crisp.



LED LIGHTING
White LED provides a more aesthetic look inside your fridge and limited energy consumption.



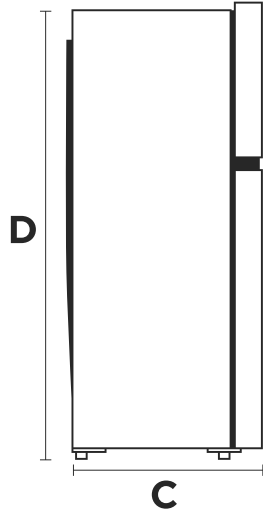
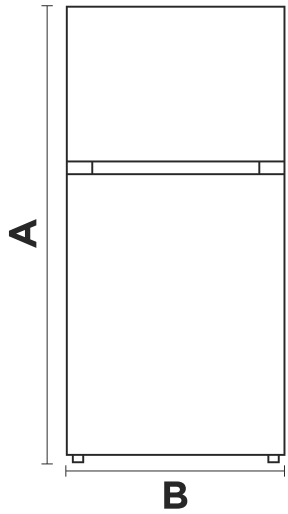
REVERSIBLE HINGE
Allows the door to open from the left or right depending on your needs.



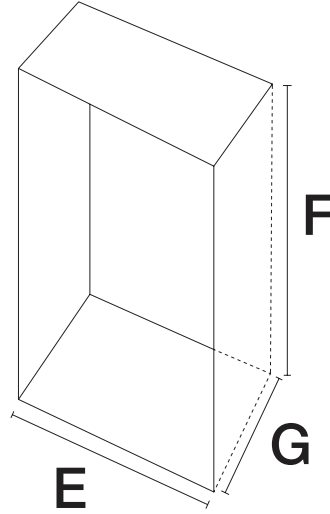
NO FROST DESIGN
Prevents frost build-up on the inner walls eliminating the need for periodic manual defrosting.

INSTALLATION GUIDE

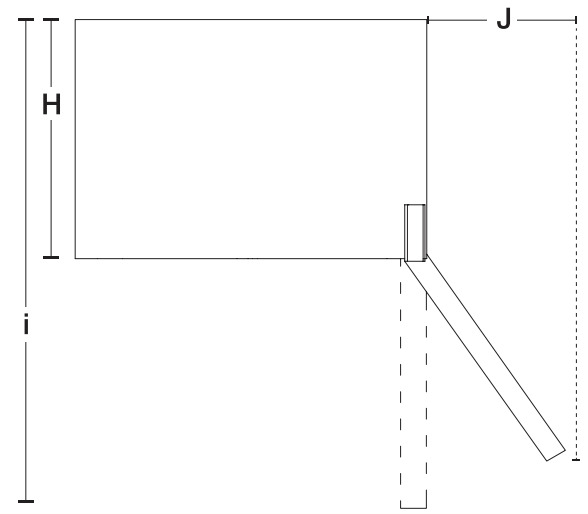
PRODUCT DIMENSIONS



CUT-OUT DIMENSIONS



PLANNED DIMENSIONS



POINT	DESCRIPTION	INCHES	CM
A	Actual Height	66 ⁵ / ₁₆	168.4
B	Actual Width	29 ⁸ / ₁₆	74.93
C	Actual Depth	30 ¹⁵ / ₁₆	78.5
D	Height Excluding Hinge	65 ⁶ / ₁₆	166
E	Cut-Out Width	29 ¹² / ₁₆	75.5
F	Cut-Out Height	66 ⁹ / ₁₆	169
G	Cut-Out Depth	31 ³ / ₁₆	79.2
H	Depth Excluding Doors	27 ¹² / ₁₆	70.4
I	Depth with Doors Open 90°	58 ⁹ / ₁₆	148.7

Spec sheets are subject to change without notice. For further questions and more detailed information, please visit www.forteappliances.com