

# 250 SERIES

## 24" Top Mount Refrigerator

[CLICK TO VIEW  
IN KITCHEN](#)

[CLICK TO  
PREVIEW  
COLORS](#)



FRONT

OPEN

### PRODUCT DIMENSIONS

|                           |                                      |         |
|---------------------------|--------------------------------------|---------|
| Width                     | 23 <sup>7</sup> / <sub>16</sub> in.  | 59.5cm  |
| Height                    | 59 <sup>14</sup> / <sub>16</sub> in. | 152cm   |
| Depth                     | 26 <sup>7</sup> / <sub>16</sub> in.  | 67.1cm  |
| Height Excluding Hinge    | 59 <sup>3</sup> / <sub>16</sub> in.  | 150.3cm |
| Depth Excluding Doors     | 23 <sup>6</sup> / <sub>16</sub> in.  | 59.3cm  |
| Depth With Doors Open 90° | 48 <sup>4</sup> / <sub>16</sub> in.  | 122.5cm |
| Weight                    | 117 lbs.                             | 53kg    |
| Capacity                  | 10.4 Cu. Ft.                         | 294.4L  |

### ADDITIONAL SPECS

|                        |                 |
|------------------------|-----------------|
| Refrigeration Capacity | 7.7 Cu. Ft.     |
| Freezer Capacity       | 2.72 Cu. Ft.    |
| No. of Shelves         | 2 Glass Shelves |
| Freestanding           | Yes             |
| Rated Voltage          | 115V-60Hz       |
| Reversible Hinge       | Yes             |
| Warranty Terms         | 1 Year          |
| Energy Star            | Yes             |
| Certification          | UL              |
| ADA Compliant          | No              |

### FEATURES:



#### MULTI-AIR FLOW

Maintain humidity and temperature control, and keep your food fresh.



#### LED LIGHTING

White LED provides a more aesthetic look inside your fridge and limited energy consumption.



#### REVERSIBLE HINGE

Allows the door to open from the left or right depending on your needs.

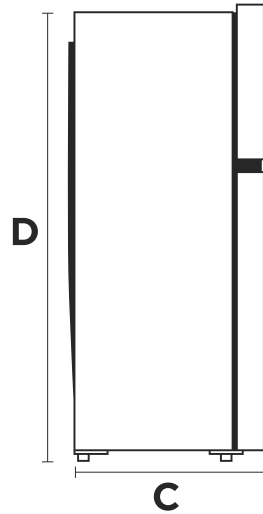
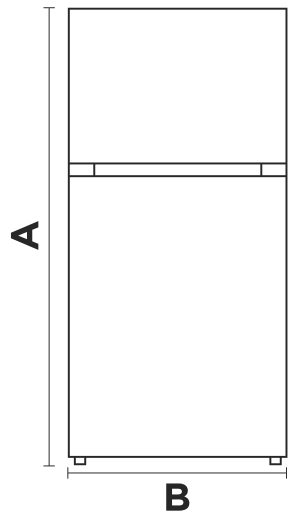


#### NO FROST DESIGN

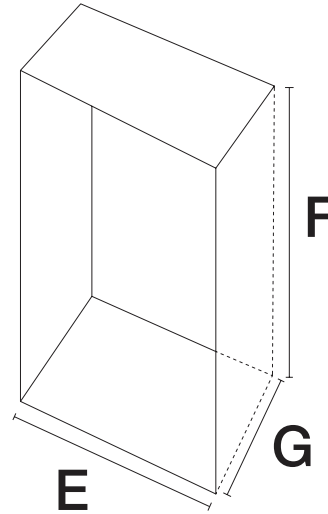
Prevents frost build-up on the inner walls eliminating the need for periodic manual defrosting.

# INSTALLATION GUIDE

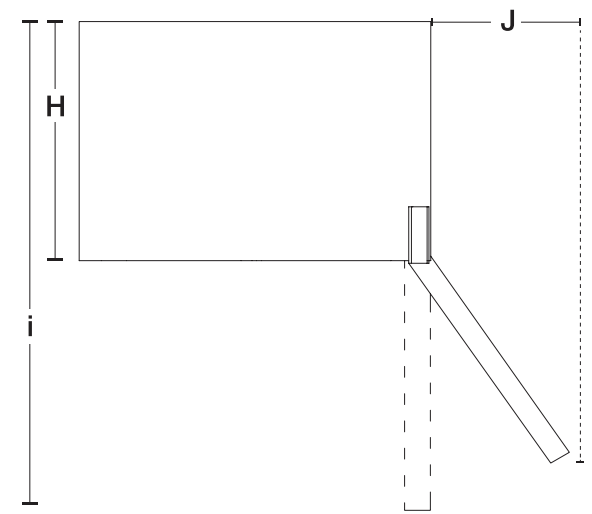
## PRODUCT DIMENSIONS



## CUT-OUT DIMENSIONS



## PLANNED DIMENSIONS



| POINT | DESCRIPTION               | INCHES                           | CM    |
|-------|---------------------------|----------------------------------|-------|
| A     | Actual Height             | 59 <sup>14</sup> / <sub>16</sub> | 152   |
| B     | Actual Width              | 23 <sup>7</sup> / <sub>16</sub>  | 59.5  |
| C     | Actual Depth              | 26 <sup>7</sup> / <sub>16</sub>  | 67.1  |
| D     | Height Excluding Hinge    | 59 <sup>3</sup> / <sub>16</sub>  | 150.3 |
| E     | Cut-Out Width             | 27 <sup>6</sup> / <sub>16</sub>  | 69.5  |
| F     | Cut-Out Height            | 61                               | 154.9 |
| G     | Cut-Out Depth             | 25 <sup>6</sup> / <sub>16</sub>  | 73.8  |
| H     | Depth Excluding Doors     | 23 <sup>6</sup> / <sub>16</sub>  | 59.3  |
| I     | Depth with Doors Open 90° | 48 <sup>4</sup> / <sub>16</sub>  | 122.5 |

Spec sheets are subject to change without notice. For further questions and more detailed information, please visit [www.forteappliances.com](http://www.forteappliances.com)